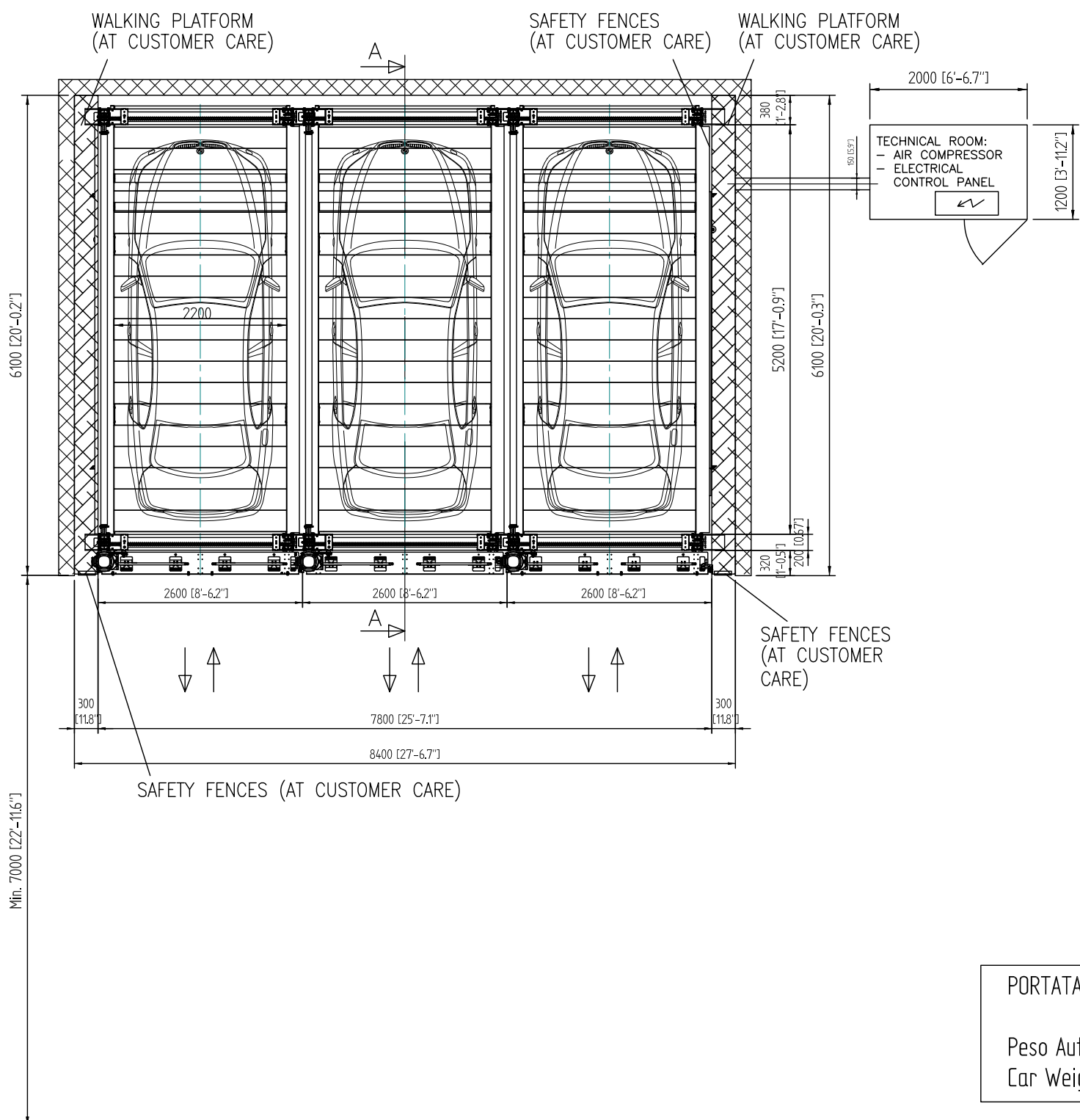
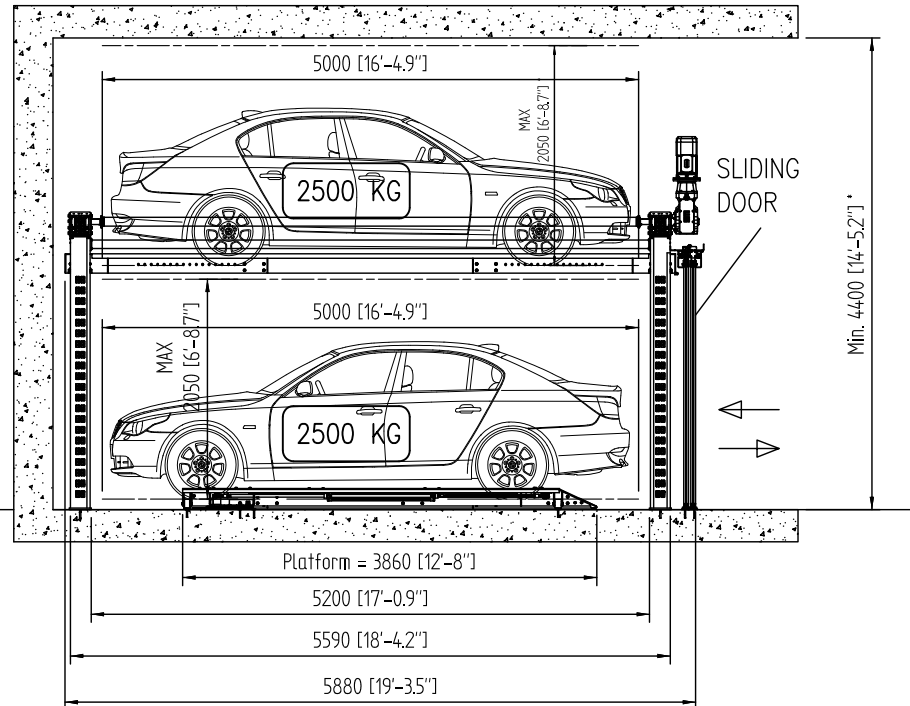
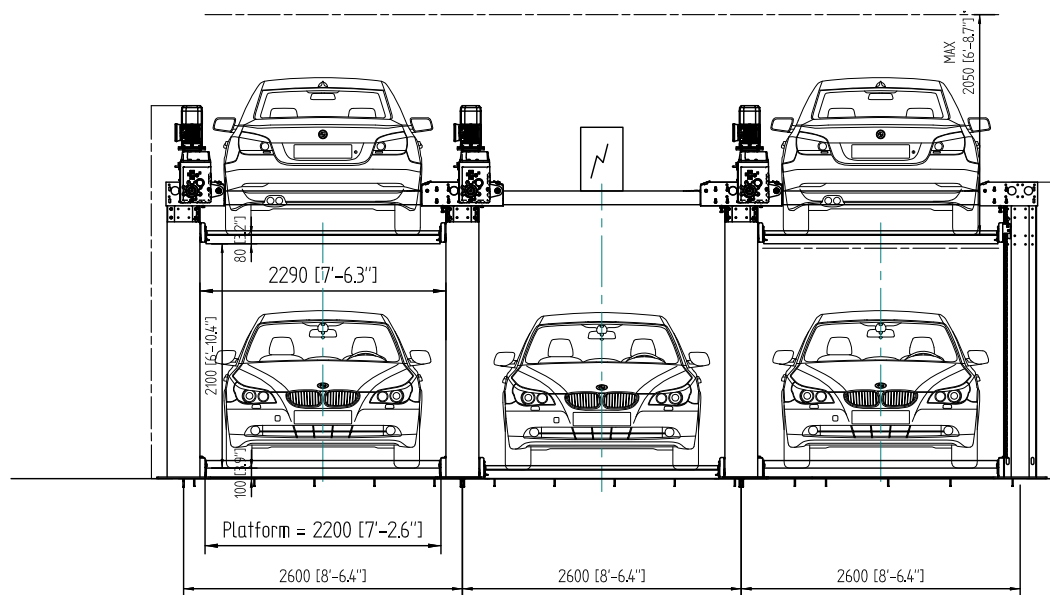


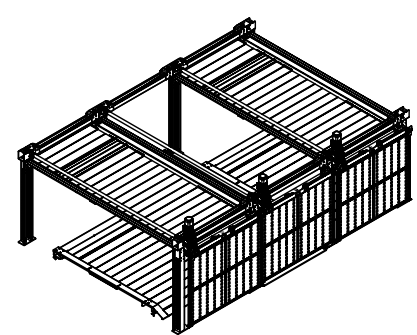
* = MAX CAR HEIGHT DEPENDING FROM THE BUILDING CEILING CLEARANCE

A-A SECTION



PORTATA/CAPACITY:
 Peso Auto 2500 Kg/
 Car Weight 2500 Kg

SETTORE SECTOR	MODULI CELL	N.POSTI AUTO PARKING SPACES
-	3	5
-	.	.
TOTALE	.	5



STORE-PARK - H=2100 mm

4098000520